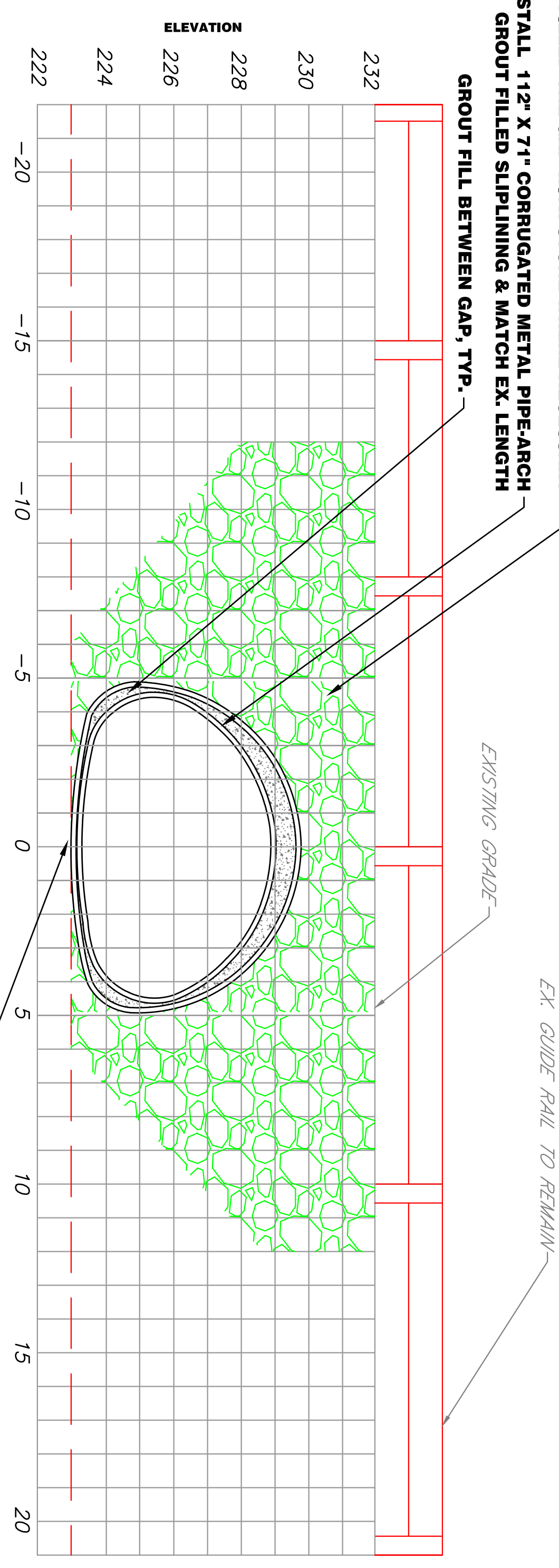


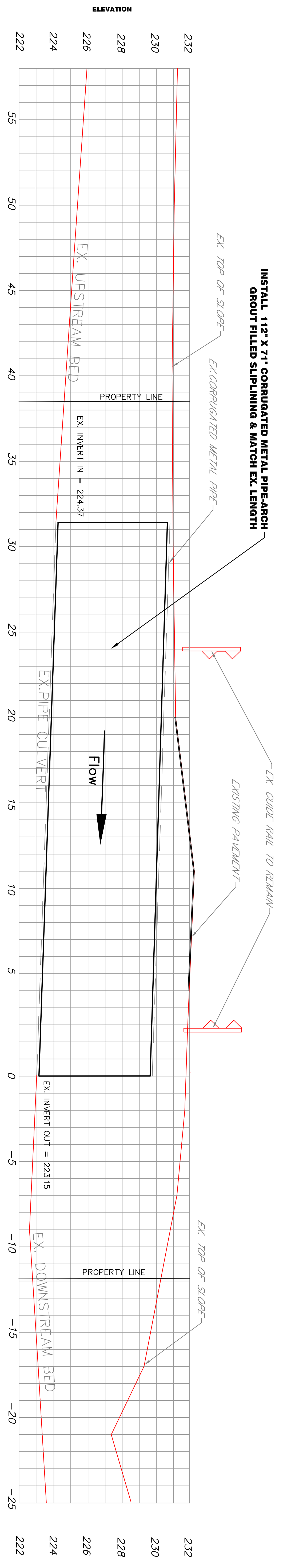
UPSTREAM CULVERT FACING DOWNSTREAM

SCALE: 1" = 3' HORIZ. & VERT.



DOWNSTREAM CULVERT FACING UPSTREAM

SCALE: 1" = 3' HORIZ. & VERT.



EXISTING CULVERT PROFILE

SCALE: 1" = 3' HORIZ. & VERT.

- CONSTRUCTION SEQUENCE:**
1. PRIOR TO COMMENCEMENT OF WORK, A PRE-CONSTRUCTION MEETING SHALL BE HELD WITH ENGINEERING DEPARTMENT STAFF AND REPRESENTATIVES OF DPW.
 2. STAKE OUT LIMIT OF DISTURBANCE AND VEGETATION TO BE RETAINED. NO DISTURBANCE IS TO TAKE PLACE BEYOND THE LIMITS OF WORK SHOWN, UNLESS SPECIFICALLY AUTHORIZED BY THE ENGINEER.
 3. INSTALL SILT FENCE OR AN APPROVED ALTERNATIVE, ALONG LIMITS OF DISTURBANCE.
 4. REMOVE ANY DEBRIS & PREPARE THE EXISTING CULVERT FOR SLIP-LINING PROCESS.
 5. INSTALL THE CORRUGATED METAL PIPE-ARCH SLIP-LINING AS PER PROJECT PLANS/MANUFACTURER REQUIREMENTS AND AS APPROVED.
 6. UPON COMPLETING THE INSTALLATION OF THE PROPOSED PIPE-ARCH, REMOVE THE ACCESS DRIVE, REGRADE AND SEED ALL DISTURBED AREAS WITH A NEW ENGLAND WETLAND PLANTS SEED MIX. EROSION CONTROL/RESTORATION MIX FOR DRP SITES WHICH INCLUDE BUT ARE NOT LIMITED TO, RED FESCUE, ANNUAL RYE-GRASS AND PERENNIAL RYE-GRASS.
 7. SEDIMENT AND EROSION CONTROLS SHALL BE INSPECTED AT LEAST ONCE A WEEK AND WITHIN 24 HOURS OF THE END OF A STORM WITH A RAINFALL AMOUNT OF 0.5 INCH OR GREATER.
 8. THE SEDIMENT AND EROSION CONTROL PLAN SHALL BE MODIFIED AT THE DIRECTION OF THE ENGINEER AS NECESSITATED IF SITE CONDITIONS CHANGE.
 9. THE SITE SHOULD BE KEPT CLEAN OF LOOSE DEBRIS, LITTER, AND BUILDING MATERIALS SUCH THAT NONE OF THE ABOVE EVER THE BROOK.
 10. A COPY OF ALL PLANS AND REVISIONS, SHALL BE MAINTAINED ON-SITE AT ALL TIMES DURING CONSTRUCTION.

DEWATERING PLAN:

The Contractor shall provide all necessary equipment and perform the necessary work to remove all water which interferes with the work area. The Contractor shall provide and/or construct the following: pumps, drains, ditches, well points and other means of excluding and removing water from trenches and other parts of the work area in a manner that does not cause any damage to the site. The Contractor shall be responsible for the design and construction of the dewatering system. The Engineer shall deem them necessary. No direct payment shall be made for the work specified herein, but compensation for such work and all expenses incidental thereto shall be considered as having been included in the contract bid prices for other items of work.

DRAWN BY: R.K.L	CHKD BY: S.A.M	REV
DATE: 02/14/2019	DATE: 02/14/2019	
SCALE: AS NOTED	JOB # 18056	
PROJ: CHATTERTON WAY CULVERT REPAIR	DWG NO. SP-2	

CHATTERTON WAY CULVERT REPAIR
 HAMDEN, CONNECTICUT

TOWN OF HAMDEN
 ENGINEERING DEPARTMENT
 2750 DIXWELL AVE
 HAMDEN, CONNECTICUT 06518
 (203) 287-7040 FAX (203) 287-7045

