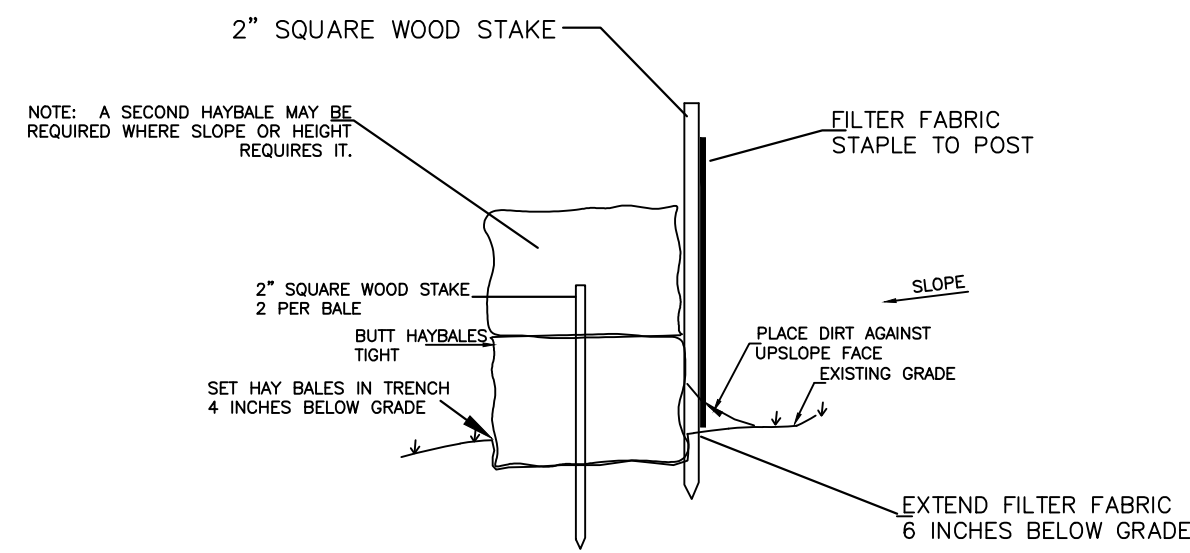


NOTES

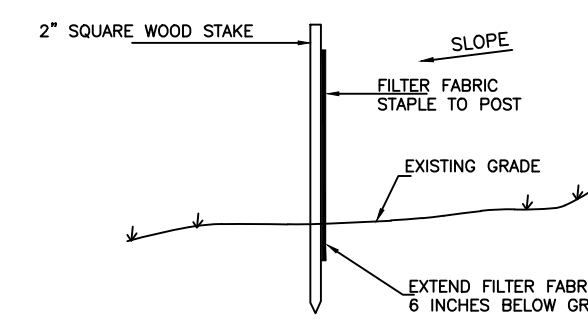
1. THIS SURVEY AND MAP HAS BEEN PREPARED IN ACCORDANCE WITH SECTIONS 20-300B-1 THRU 20-300B-20 OF THE REGULATIONS OF CONNECTICUT STATE AGENCIES - "MINIMUM STANDARDS FOR SURVEYS AND MAPS IN THE STATE OF CONNECTICUT AS ENDORSED BY THE CONNECTICUT ASSOCIATION OF LAND SURVEYORS, INC. ON SEPT. 26, 1996.

IT IS A TOPOGRAPHIC SURVEY, CONFORMING TO VERTICAL ACCURACY CLASS TYPE 1-2 AND INTENDED TO BE USED FOR THE PURPOSE OF DEPICTING THE WORK AREA AND PRESENTING A PLAN FOR THE REMOVAL OF THE BRIDGE AND THE INSTALLATION OF THE DRAINAGE AND NEW PORTION OF DRIVE.

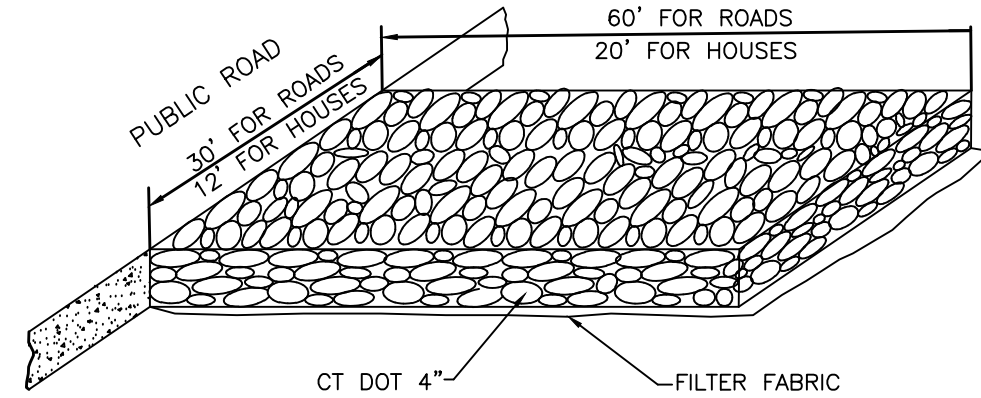
THE PROPERTY LINES AND CONTOURS BEYOND THE WORK AREA ARE SHOWN TO THE STANDARDS OF A COMPILATION PLAN, CONFORMING TO HORIZONTAL ACCURACY CLASS TYPE D AND INTENDED TO BE USED FOR THE PURPOSE OF PROVIDING THE INFORMATION NECESSARY FOR THE DRAINAGE CALCULATIONS. THIS PORTION OF THE PLAN WAS COMPILED FROM OTHER MAPS, RECORD RESEARCH, LIMITED FIELD SURVEYING AND THE TOWN OF HAMDEN ON-LINE GIS INFORMATION. IT IS NOT TO BE CONSTRUED AS HAVING BEEN OBTAINED AS THE RESULT OF A FIELD SURVEY, AND IS SUBJECT TO SUCH CHANGE AS AN ACCURATE FIELD SURVEY MAY DISCLOSE.



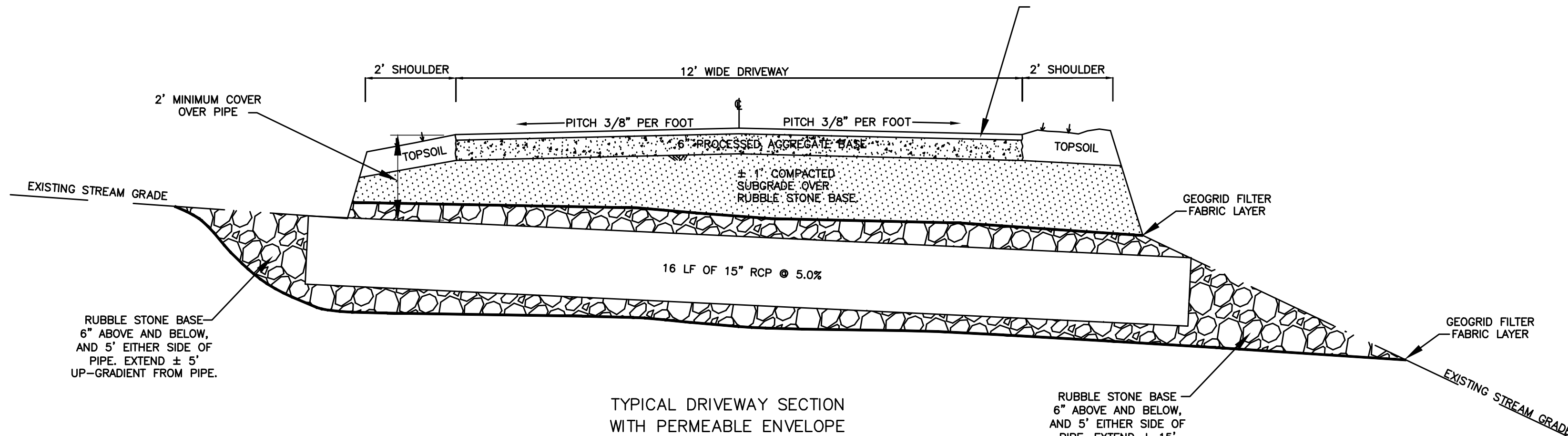
SECTION THROUGH HAYBALE BACKED SILTFENCE EROSION CONTROL BARRIER  
NOT TO SCALE



SECTION THROUGH SILTFENCE EROSION CONTROL BARRIER  
NOT TO SCALE



ANTI-TRACKING APRON  
NOT TO SCALE

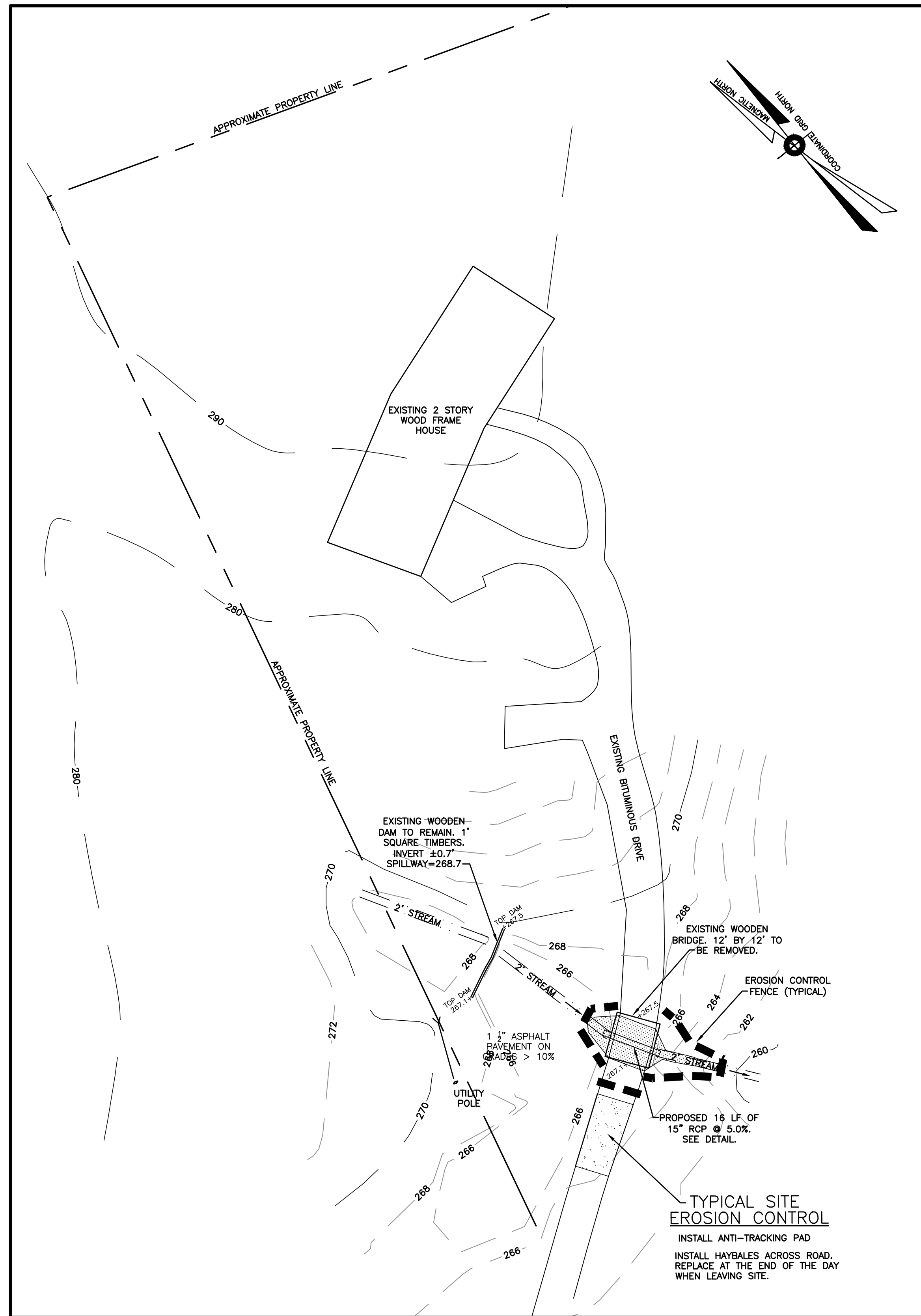


TYPICAL DRIVEWAY SECTION WITH PERMEABLE ENVELOPE

- CONSTRUCTION NOTES
1. SURVEYOR TO STAKE OUT DRIVEWAY AND CLEARING LIMITS.
  2. REMOVE TREES AND BRUSH. DO NOT GRUB AND STUMP.
  3. INSTALL SILTFENCE AT TOE OF FILL.
  4. INSTALL GEGRID DIRECTLY ON GROUND.
  5. INSTALL POROUS STONE BASE (RUBBLE STONE, 8" MINIMUM).
  6. INSTALL LAYER OF GEGRID OVER RUBBLE STONE.
  7. INSTALL SHOULDERS, BASE AND FILL AS REQUIRED.
  8. PAVE SURFACE IF REQUIRED.
  9. FINISH GRADING, LOAM AND SEED SHOULDERS.
  10. REMOVE EROSION CONTROLS AFTER FILL IS STABILIZED.

CALL BEFORE YOU DIG

UNDERGROUND UTILITY, STRUCTURES AND FACILITY LOCATIONS SHOWN AND NOTED HEREON HAVE BEEN COMPILED, IN PART FROM RECORD MAPPING OBTAINED FROM THE RESPECTIVE UTILITY COMPANIES, GOVERNMENTAL AGENCIES, PAROLE TESTIMONY, ACTUAL FIELD SURVEY OF OBSERVED CONDITIONS AT THE TIME OF THE SURVEY, AND OTHER SOURCES. THE ACCURACY OF THE INFORMATION SHOULD BE CONSIDERED APPROXIMATE ONLY. ADDITIONALLY, OTHER SUCH FEATURES MAY EXIST ON THE SITE WHICH ARE UNKNOWN TO JOHN PAUL GARCIA AND ASSOCIATES. PRIOR TO ANY WORK BEING DONE ON THE SITE, THE CONTRACTOR AND OR OWNER IS ADVISED TO CONTACT CALL-BEFORE-YOU-DIG 1-800-922-4455 IN ACCORDANCE WITH STATE REGULATIONS.



TYPICAL SITE EROSION CONTROL  
INSTALL ANTI-TRACKING PAD  
INSTALL HAYBALES ACROSS ROAD,  
REPLACE AT THE END OF THE DAY  
WHEN LEAVING SITE.

THIS PLAN WAS COMPILED FROM OTHER MAPS, RECORD RESEARCH AND/OR OTHER SOURCES OF INFORMATION. IT IS NOT TO BE CONSTRUED AS HAVING BEEN OBTAINED AS THE RESULT OF A FIELD SURVEY, AND IS SUBJECT TO SUCH CHANGE AS AN ACCURATE FIELD SURVEY MAY DISCLOSE.

TO MY KNOWLEDGE AND BELIEF, THIS MAP IS SUBSTANTIALLY CORRECT AS NOTED HEREON

*John Paul Garcia*  
JOHN PAUL GARCIA AND ASSOCIATES, P.C.  
190 FAIRWOOD ROAD  
BETHANY, CT 06757  
PHONE 203-393-3941  
FAX 203-393-3941  
EMAIL jpr@jgagpc.com

THIS PLAN PREPARED FOR:  
OWNER/APPLICANT  
NICK MASTRANGELO  
COLDWELL BANKER RESIDENTIAL BROKERAGE  
190 FAIRWOOD ROAD  
BETHANY, CT 06757  
PHONE 203-795-6000

DESIGNED BY: B.W.  
DRAFTED BY: C.A.D.  
CHECKED BY: J.P.G.  
SCALE: 1"=20'  
DATE: 1-11-21  
JPGA NO. 4562

REVISIONS	DATE	REMARKS

**JPGA**  
JOHN PAUL GARCIA AND ASSOCIATES, P.C.  
ENGINEERS AND SURVEYORS  
190 FAIRWOOD ROAD  
BETHANY, CT  
OFFICE 203-393-3941 FAX 203-393-3941  
EMAIL jpr@jgagpc.com

**PROPOSED IMPROVEMENT  
LOCATION SURVEY**  
51 LAURA ROAD  
HAMDEN, CONNECTICUT

DRAWING NO.  
**C-1**

SCALE: 1"=20'  
DATE: 1-11-21  
JOB NO.: 4562

COPYRIGHT © ALL RIGHTS RESERVED BY JOHN PAUL GARCIA AND ASSOC. NOT TO BE COPIED OR REPRODUCED WITHOUT THE EXPRESSED WRITTEN PERMISSION OF JPGA.